

90° ELBOW LONG RADIUS

SILVER BRAZE

SPECIFICATION: MIL-F-1183

PRESSURE RATING: 400 PSIG (WOG)

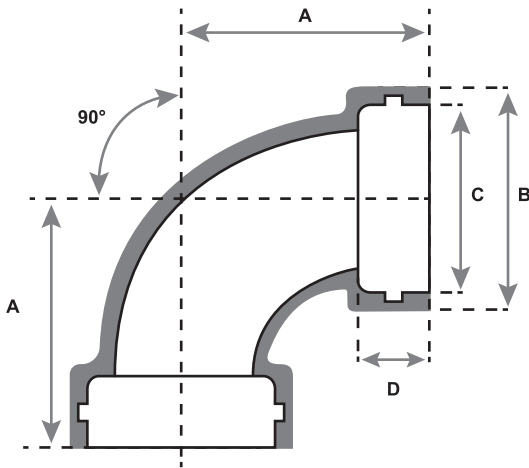
INTENDED FOR USE WITH CLASS 200 OR 700
COPPER NICKEL TUBE IAW MIL-T-16420
COPPER TUBE IAW MIL-T-24107
BRASS TUBE IAW MIL-T-20168

SERVICE RATING TABLE

Nominal Pipe Size (INCHES)	Maximum Working Pressure (LB/IN ²)	Maximum Temperature (F°)	Maximum Working Pressure (LB/IN ²)	Maximum Temperature (F°)
1/4 through 6	200	425	400	150
Above 6	150	425	250	150



BRONZE
ASTM B61 / QQ-C-390 / MIL-B-16541
(ALLOY C90300 / C92200)



AVAILABLE ALLOY: BRONZE

NOMINAL PIPE SIZE	1/4	3/8	1/2	3/4	1	1 1/4	1 1/2	2	2 1/2	3	3 1/2	4
A	1.25	1.50	1.75	2.00	2.31	2.75	3.13	3.75	4.50	5.44	6.19	6.94
B	0.700	0.855	1.020	1.250	1.535	1.900	2.160	2.675	3.215	3.880	4.400	4.940
C	0.540 MIN - 0.543 MAX	0.675 MIN - 0.678 MAX	0.840 MIN - 0.843 MAX	1.050 MIN - 1.053 MAX	1.315 MIN - 1.318 MAX	1.660 MIN - 1.663 MAX	1.900 MIN - 1.905 MAX	2.375 MIN - 2.380 MAX	2.875 MIN - 2.882 MAX	3.500 MIN - 3.507 MAX	4.00 MIN - 4.007 MAX	4.500 MIN - 4.507 MAX
D	17/64	5/16	3/8	13/32	7/16	1/2	5/8	21/32	25/32	53/64	7/8	29/32

NOTES: Brazing rings IAW QQ-B-654, BCuP-5 are to be used with grooved fitting ends.

Fittings may be ordered with reduced ends.

All sizes are in inches.